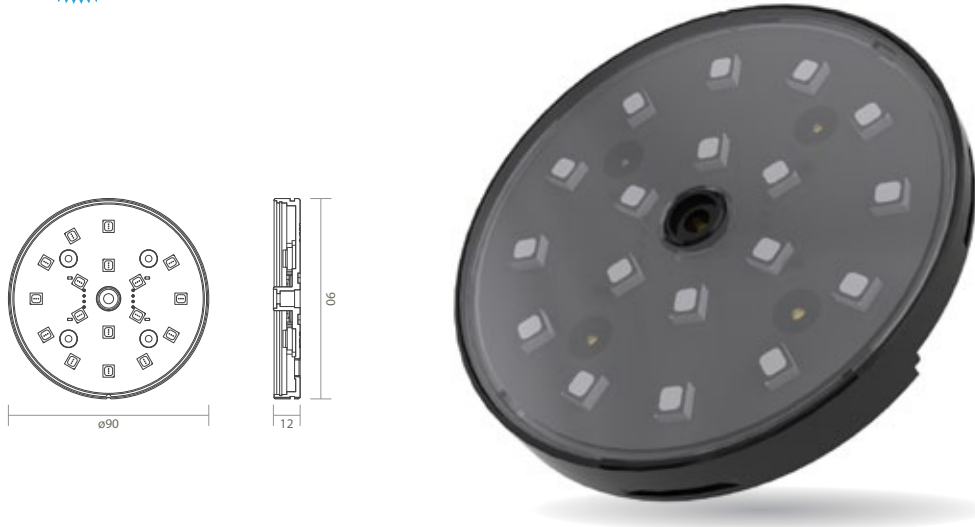


UFO



This ultra thin (90mm) UFO type Color-Bar is suitable for various events and concerts. For equipment rental market, it comes with magnetic application along with bolt in the middle design to ease the install & uninstall work.



Technical specifications

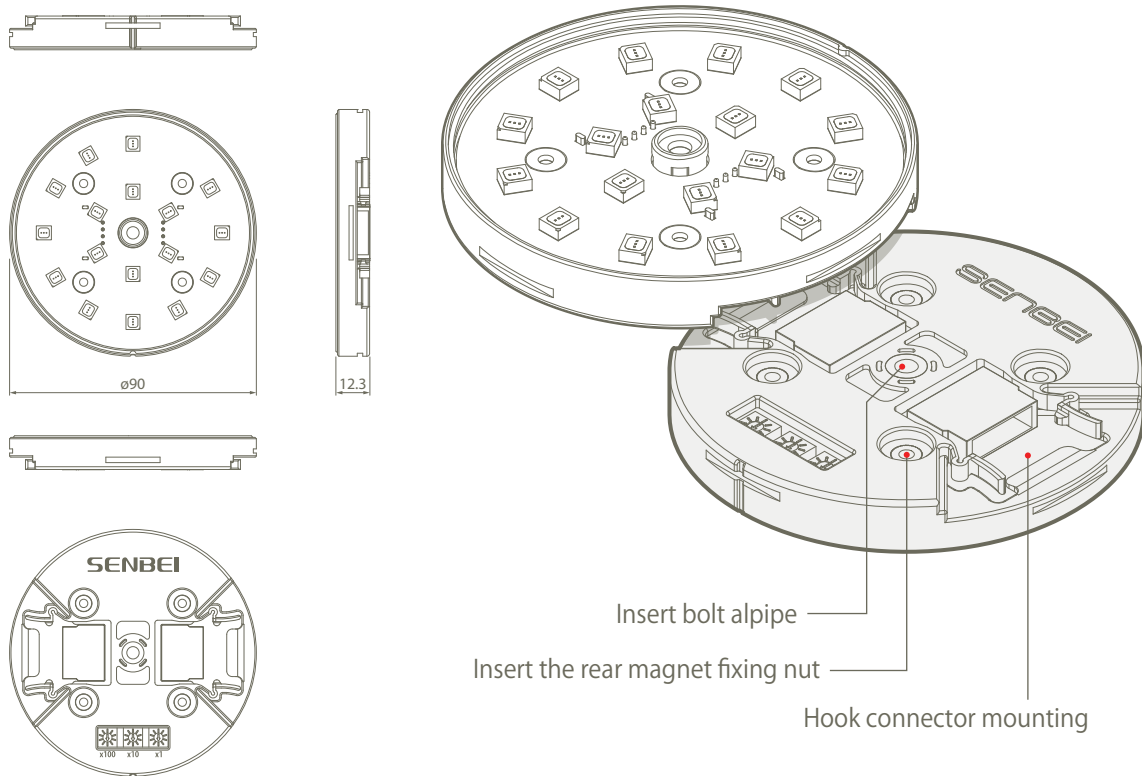


Parameter	Value	
Size(mm)	ø90 x 12mm(T)	
Lamp	Nichia 3 in1 full color LED 18ea	
Brightness(Nit)	Pixel Brightness : 104.50lm / 38.15cd Lv : 3815cd/m ²	Dot pitch of 100mm
Viewing angle(°)	110°±2°	
Color Range	16.7 million 48-bit (64-bit)	
Power capacity	4.56W	
Input voltage(V)	24V DC	From DC-DC Module
Main Power Source	24V DC	From SMPS
Addressing	Rotary Type Manual setting	
Control	DMX 512/ Video Control	
Protection Rate	Indoor only	
Operating temp(°C)	-20°C ~ 50°C	
Storage temp(°C)	-30°C ~ 80°C	
Weight(g)	60g	
Material	Plastic Body & Clear Cover	
Pixel pitch	75 ~ 1200mm pitch	
Max Connection	100mm : 20ea , 1000mm : 14ea 2000mm : 10ea	Input cable : 18awg, 20M

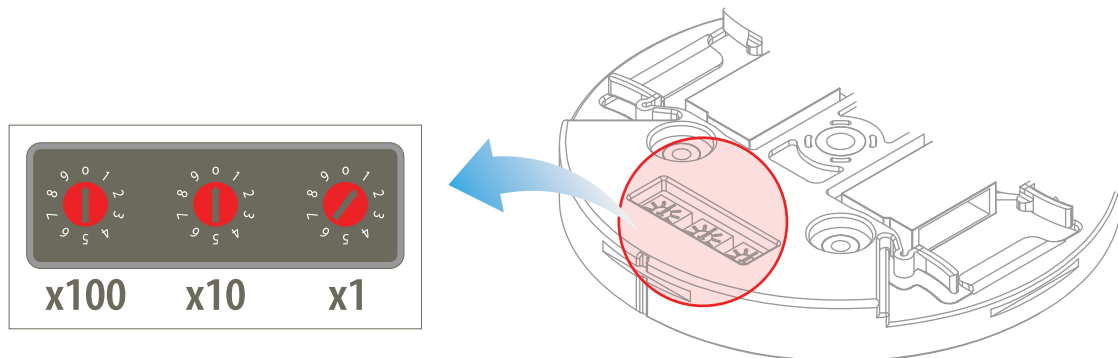
★ The specifications are subject to modifications for imformance without notice.

Product Drawing

Dimensions



Address Setting



- 3 address determined by the value of rotary switch : From left to 100 units, 10 units, a unit sequence
- Address 0 / 500 : black(data off)
- DMX Black mode (1~ 499번) : input data for on- black(OFF)
- DMX Normal mode (501 ~ 999번) : input data for off-color as the previous lights off state is maintained.
- Same-Sequence DMX Black mode1 and DMX Normal mode 501.
- No Use Address 500~512