

KLA600R 105W



High
Quality
Light



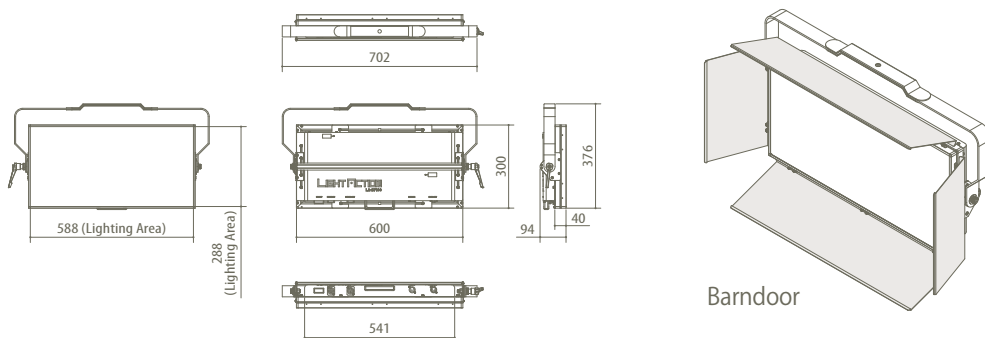
Intelligent
Control
System

Flicker Free/Soft Light/Color Temperature Adjustable/Dimming/DMX

Features

- DC level operation type / flicker free via 256 gray dimming control
- Color temperature control (2700K ~ 6500K) with less than 10% brightness change
- High color rendering index (90~95)
- Exhibit soft light for natural image .
- Provide standard DMX for Interlocked and integrated control.
- Same brightness with 30% less power consumption than that of tungsten or fluorescent type studio light

※ Option : Dimmer, Barndoor, Cable



Barndoor



DMX Dimming & Kelvin Controller



Technical specifications

Description	Material/Finish/Data
Frame	AL6063 / Anodizing, Black
Light Plane	Polycarbonate
Power Case	EGL, 1.0T/Powder Coating, Black
Black Cover	AL5052, 0.6T / Anodizing, Black
Size/Weight	702 x 381 x 40mm / 9.3Kg ※Barndoor Mounting : 10.0Kg
Luminous Flux(lm)	2700K : 4300lm ± 10% , 6500K : 4900lm ± 10%
Intensity of Illumination(lux, @1m)	1700 ± 10% (Base on 6500K)
CRI	>90
Color Temperature(K)	2700 ~ 6500
Power	105W ± 10W
Dimming / Control	256 Step / DMX512
Dimming Range(%)	5 ~ 100

Certification

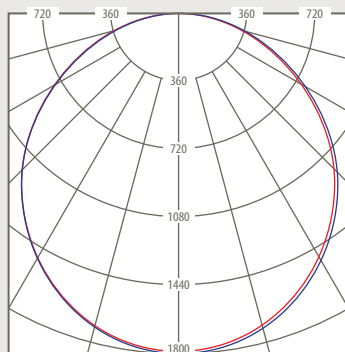


Electrical Characteristics

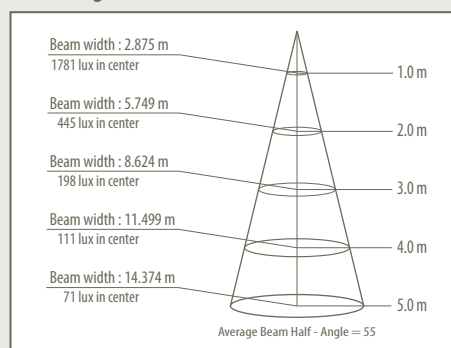
ITEM	CONDITION	VALUE		
		MIN	TYPICAL	MAX
Power consumption (W)	Max dimming	95	105	115
Input voltage (V)	AC	90	100 ~ 240	254
Power factor	Max dimming	0.9	-	-
Operating temp (°C)	Max dimming	-10	25	45

Optical Characteristics

Polar Curve



Cone Diagram



※ Base on 6500K