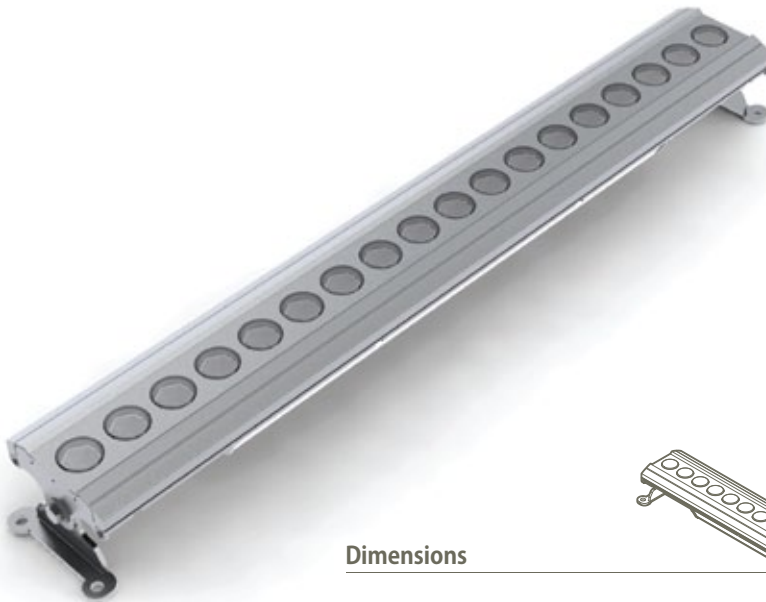


## H-bar

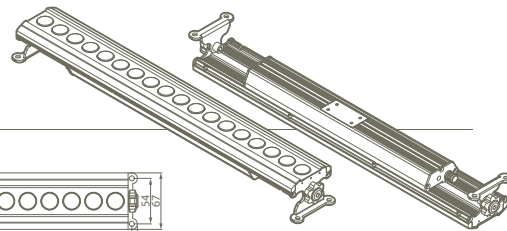
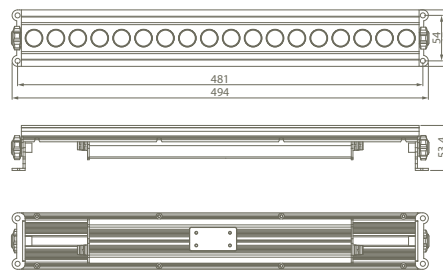
As a slim type High Powered LED bar applying 0.5W white power LED and SMD (3 in 1 ) chip, it is suitable for direct/indirect architectural lighting needs both inside and outside.

### Features

Suitable for outdoor coloring and wall wash display. Precise lighting by adjusting the light beam angle up to 90° and various display of lights through DMX(image) controller is possible. Wiring route is simplified thanks to the embodied driver circuit.



### Dimensions



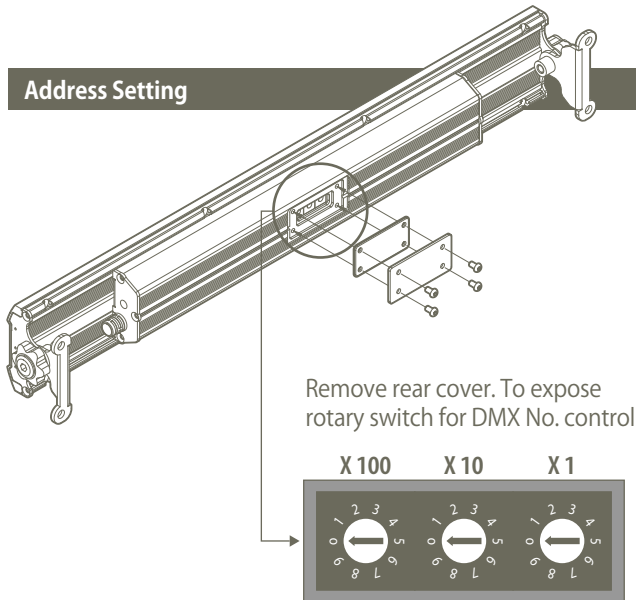
### Technical specifications



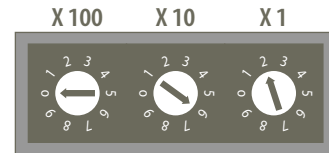
Parameter	Value
Color Range	16.7 million (24bit)
Power Consumption	Max. 30W (at full intensity)
LED Lamp	High Power LED 1W 18pcs (R6, G6, B6)
Beam angle	10°, 30°
Case Material	Aluminum Case, P.C
Dimension(W x H x D)	496mm x 67mm x 53mm
Weight	1.4Kg
Protection Rate	Outdoor (IP66)
Operation Temp.	-20° C ~ 50° C

★ The specifications are subject to modifications for improvement without notice.

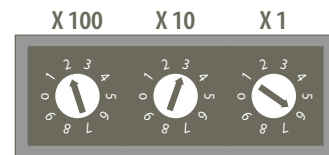
## Address Setting



**Ex)** In case of setting No. 62 DMX...

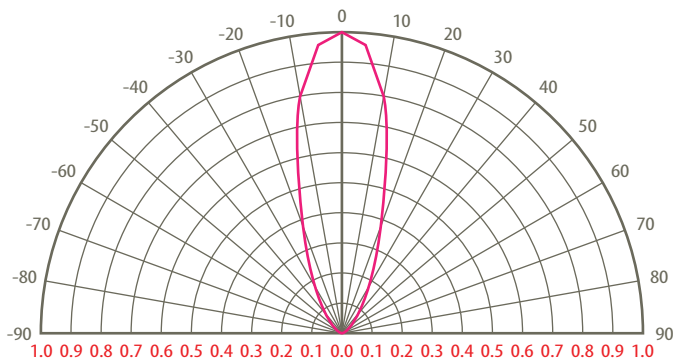


In case of setting No. 236 DMX...



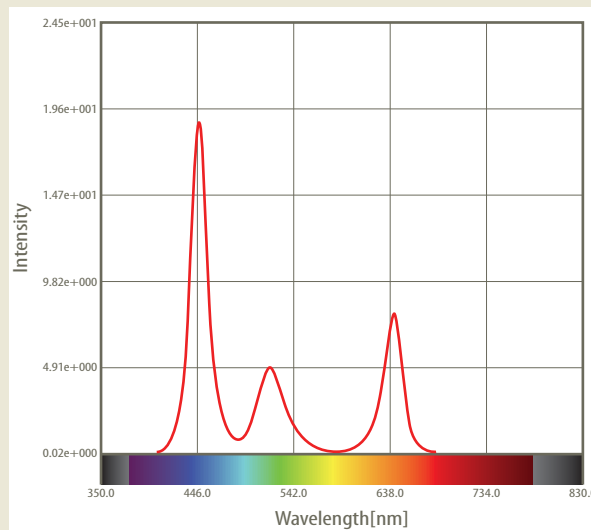
## Optical Specification

### Luminous Flux



Product Type	H-bar
Total Flux(lm)	599.67
Candela(cd) Aver.	263.84
Illuminance(Lx) Aver.	2.26

### Spectrum



**측정시간**

Automatic **노출시간**

노출시간 : 545 ms

Intensity : 90.0855 [%]

Dark Measure

Measure

---

**CCF**

1.0000

CCF CALCULATE

---

**CIE 1931**

x : 0.2193

y : 0.1581

---

**CCT\_CRI**

CCT : -99.0000

CRI : -99.0000